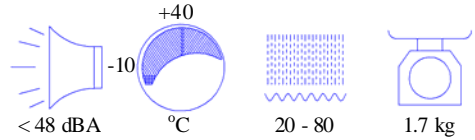
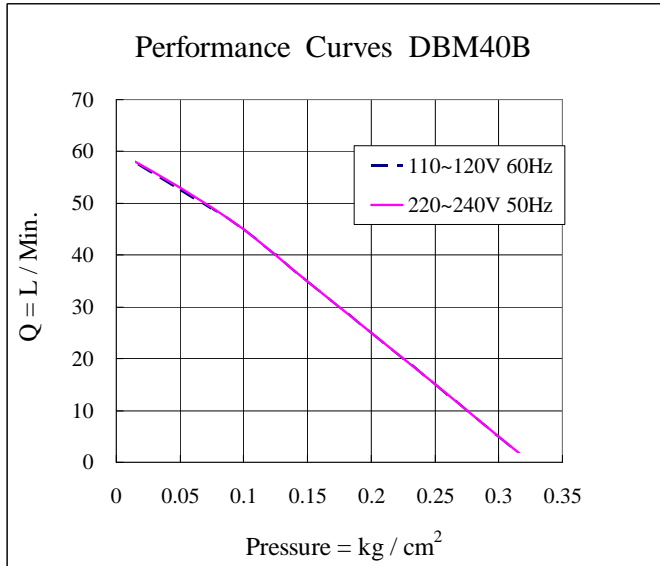


Model No. DBM40B

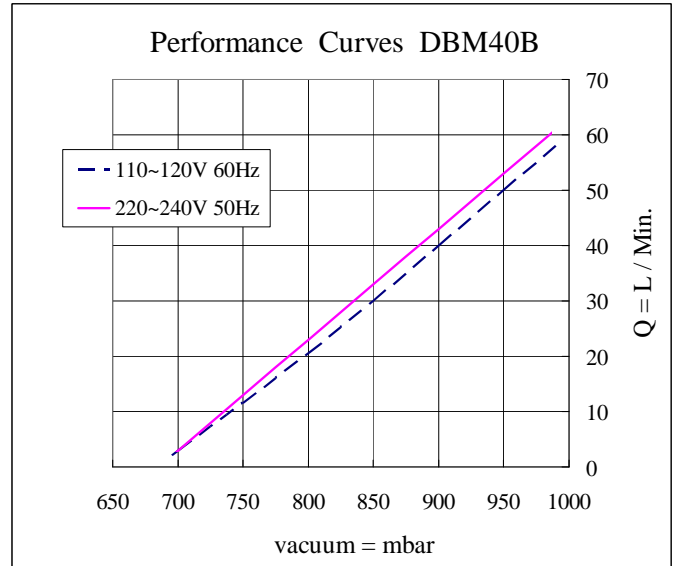
Performance / Rendimiento / Prestanda



★ Allowance : ±5%

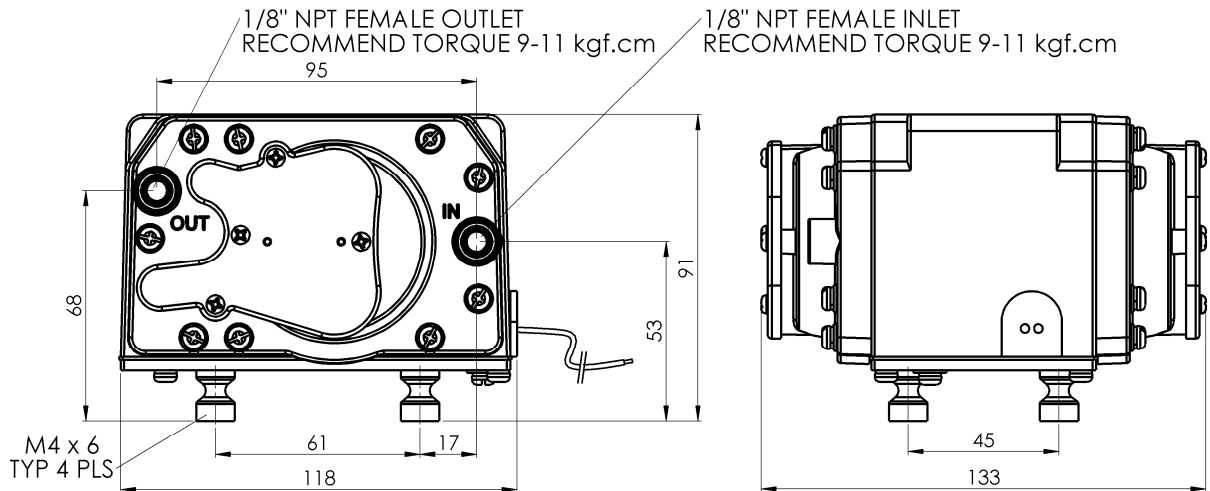


Exhaust



Vol.suction

Dimensions / Dimensioner (mm)



Model No.	Voltage (VAC)	Frequency (HZ)	Rated Pressure (kg/cm ²)	Airflow (LPM)	AMP (A)	WATT (W)	Max. Vacuum (Milli bar)
DBM40B	110 ~ 120	60	0.13	40	0.41	35	310
DBM40B	220 ~ 240	50	0.13	40	0.20	32	310

Diann Bao Inc.

www.airmac.com.tw

✉ E-mail: airmac@airmac.com.tw

☎ Tel: +886-4-7621838

☎ Fax: +886-4-7617617