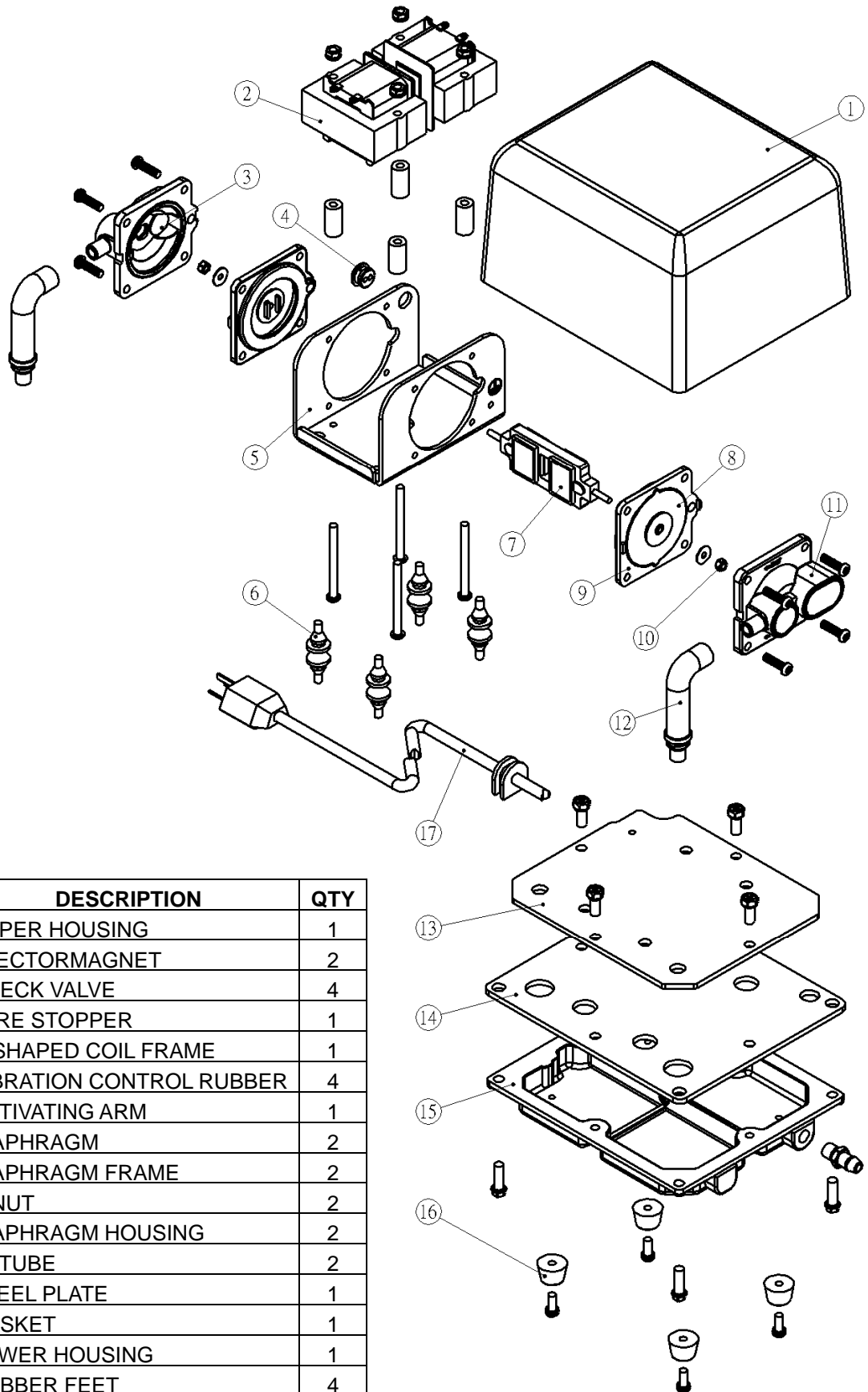


# DB version series 8 · 15 · 20



NO.	DESCRIPTION	QTY
1	UPPER HOUSING	1
2	ELECTORMAGNET	2
3	CHECK VALVE	4
4	WIRE STOPPER	1
5	U-SHAPED COIL FRAME	1
6	VIBRATION CONTROL RUBBER	4
7	ACTIVATING ARM	1
8	DIAPHRAGM	2
9	DIAPHRAGM FRAME	2
10	U NUT	2
11	DIAPHRAGM HOUSING	2
12	L - TUBE	2
13	STEEL PLATE	1
14	GASKET	1
15	LOWER HOUSING	1
16	RUBBER FEET	4
17	POWER CORD	1