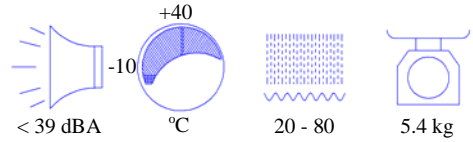
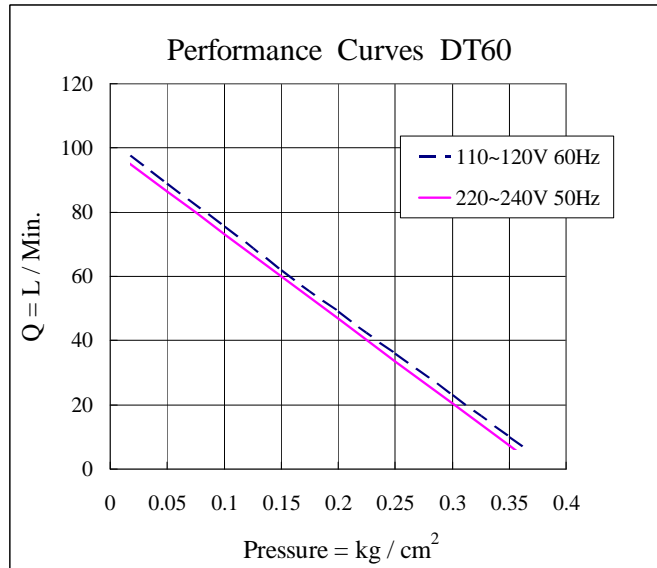


Model No. DT60

Performance / Rendimiento / Prestanda

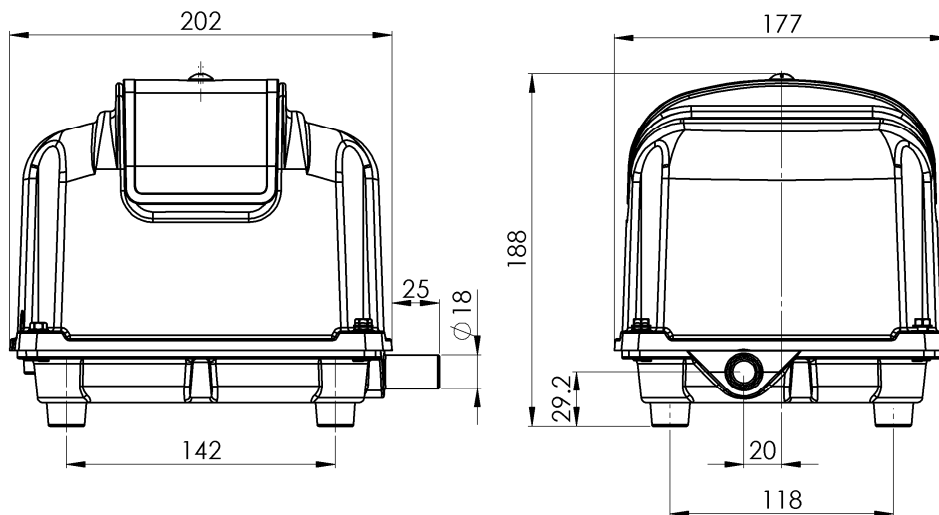


★ Allowance : $\pm 5\%$



Exhaust

Dimensions / Dimensioner (mm)



Operating range : 0.1 to 0.25 kg/cm²

Model No.	Voltage (VAC)	Frequency (HZ)	Rated Pressure (kg/cm ²)	Airflow (LPM)	AMP (A)	WATT (W)
DT60	110 ~ 120	60	0.15	60	0.5	45
DT60	220 ~ 240	50	0.15	60	0.21	39

Diann Bao Inc.

www.airmac.com.tw

✉ E-mail: airmac@airmac.com.tw

☎ Tel: +886-4-7621838

☎ Fax: +886-4-7617617