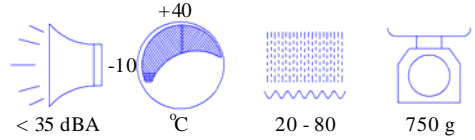
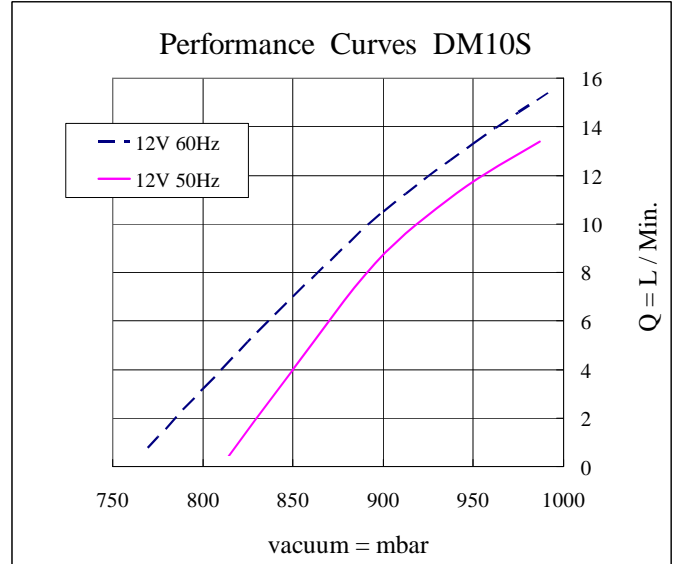
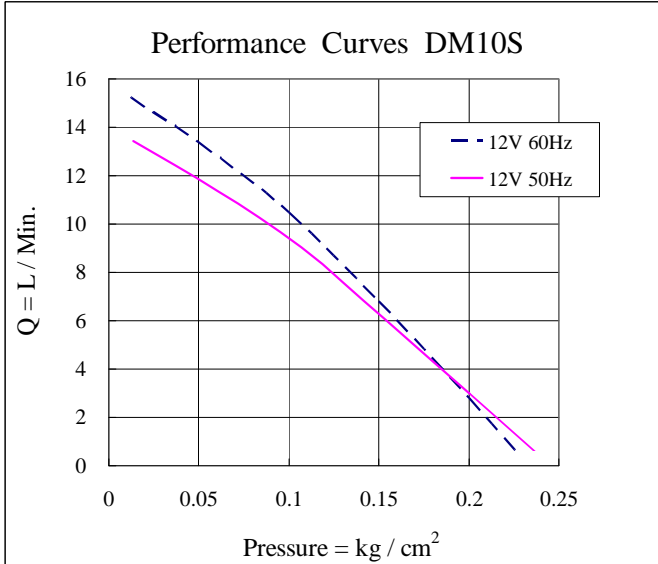


Model No. DM10S

Performance / Rendimiento / Prestanda



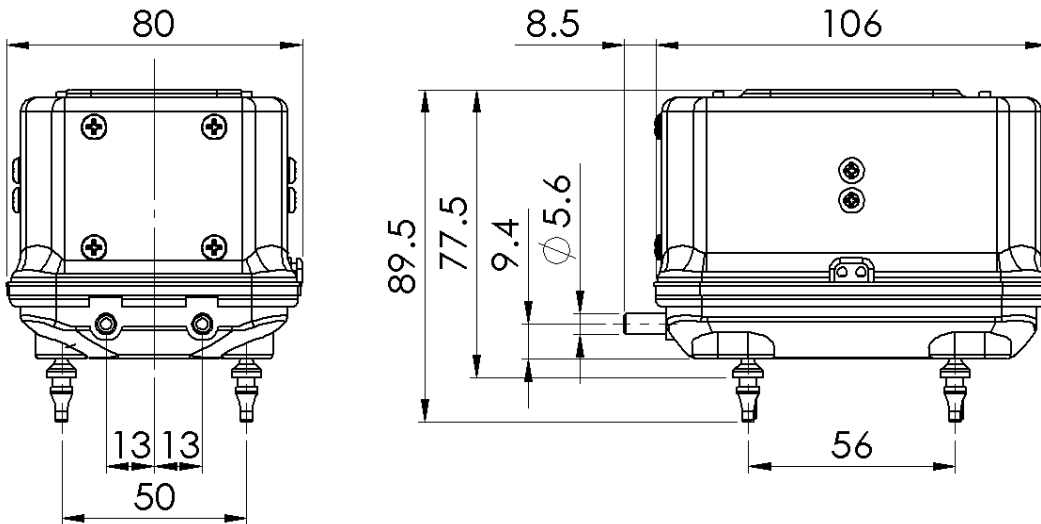
★ Allowance : ±5%



Exhaust

Vol.suction

Dimensions / Dimensioner (mm)



Model No.	Voltage (VAC)	Frequency (HZ)	Rated Pressure (kg/cm ²)	Airflow (LPM)	AMP (A)	WATT (W)	Max. Vacuum (Milli bar)
DM10S	12	60	0.1	10.5	1	9	235
DM10S	12	50	0.1	9.5	1	8	180

Diann Bao Inc.

✉ E-mail: airmac@airmac.com.tw

☎ Tel: +886-4-7621838

☎ Fax: +886-4-7617617

www.airmac.com.tw