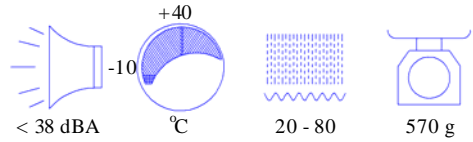
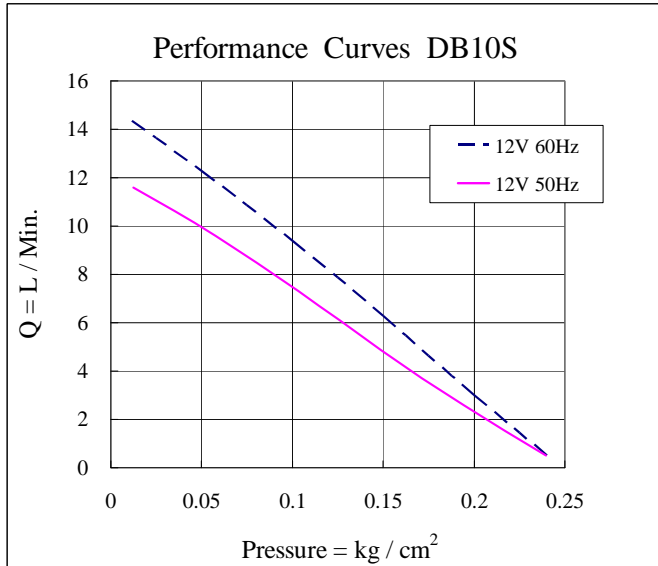


Model No. DB10S 12V

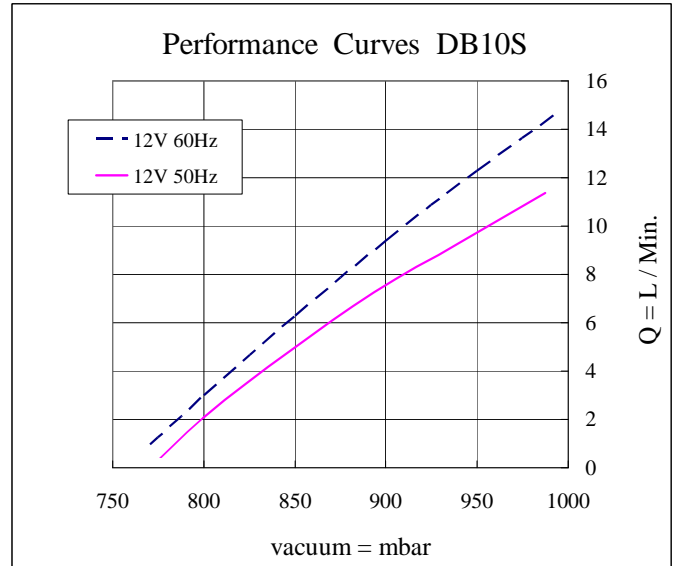
Performance / Rendimiento / Prestanda



★ Allowance : ±5%

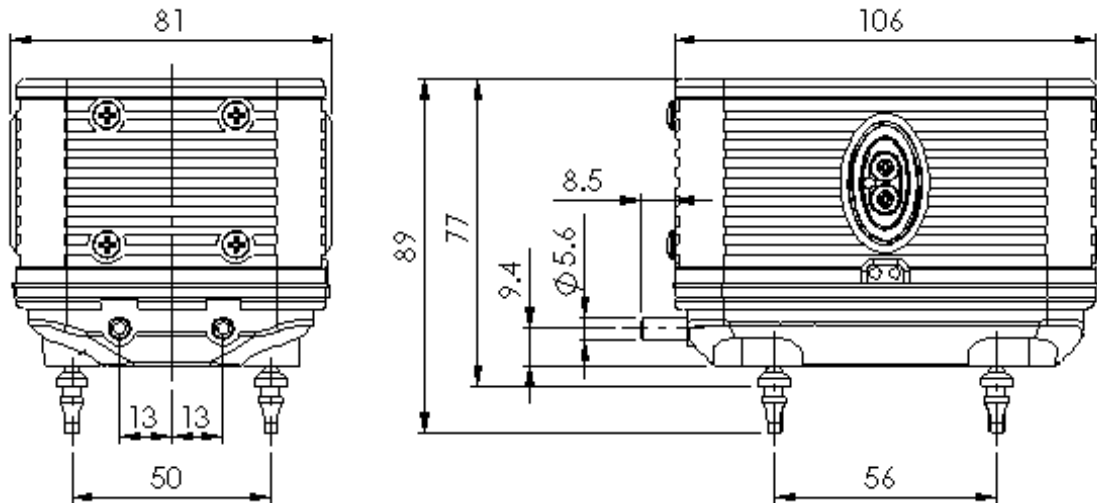


Exhaust



Vol.suction

Dimensions / Dimensioner (mm)



| Model No. | Voltage (VAC) | Frequency (HZ) | Rated Pressure (kg/cm ²) | Airflow (LPM) | AMP (A) | WATT (W) | Max. Vacuum (Milli bar) |
|-----------|---------------|----------------|--------------------------------------|---------------|---------|----------|-------------------------|
| DB10S 12V | 12 | 60 | 0.1 | 9.5 | 1 | 8.5 | 240 |
| DB10S 12V | 12 | 50 | 0.1 | 7.5 | 1.2 | 8 | 220 |

Diann Bao Inc.

✉ E-mail: airmac@airmac.com.tw

☎ Tel: +886-4-7621838

☎ Fax: +886-4-7617617

www.airmac.com.tw