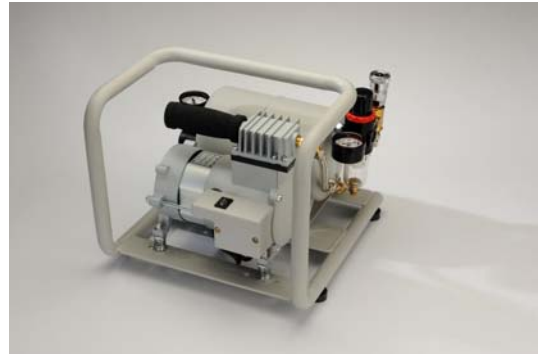


Mini Air Compressor

Oil-Less Mini Air Compressor

Operation & Maintenance Manual

IMPORTANT : PLEASE READ THIS MANUAL AND SAVE IT FOR FURTHER REFERENCE.



- * *Oil-free air compressor*
- * *Produces full-capacity air on demand*
- * *Durable and Reliable*
- * *Compact and Powerful*
- * *Easy Maintenance*



ISO 9001

Thank you for purchasing this product. It is manufactured to the highest standards using quality materials. Please follow all recommended maintenance, operational and safety instructions.

WARRANTY

GUARANTEE PROVISIONS

Warranty policy covers the structure of the mini air compressor within one year operation.

Warranty policy guaranteed under the condition that:

- (A) It is operated in accordance with the instruction manual.
- (B) Any repairs to this mini air compressor must be accompanied by this certificate undertaken by the dealer from whom it was purchased.

Though the guarantee period may not have expired, repair fees must be made in the following cases:

- (C) When the fault is due to improper usage, or repairs have been attempted by persons other than an authorized dealer.
- (D) When the fault is due to fire, natural disaster or incorrect voltage.
- (E) If the guarantee has been lost, incorrectly completed or details fraudulently changed.

Please read this Manual and save for future reference.

This mini air compressor is Oil-less compressors requiring NO lubrication.
Consult your supplier before using at high altitudes.

Distributor/ Representative:	
Model No:	
Serial No:	
Guarantee Period	

WARNING

- ※ **IMPORTANT SAFEGUARDS – READ AND FOLLOW ALL SAFETY INSTRUCTIONS**
- ※ **TO REPLACE OR CHANGE ANY OF THE PARTS REFERRED IN THE SERVICE MANUAL, WE STRONGLY RECOMMEND YOU CONTACT AN AUTHORIZED TECHNICIAN.**

CAUTIONS FOR USE

CAUTION: Read safety instructions before setting up air compressor.

➤ **ELECTRICAL**

DANGER: Improper connection of the equipment-grounding conductor can result in a risk of electrical shock or electrocution. Do not use any type of adapter with this product.

Diann Bao, Inc. does not recommend the use of extension cords. To avoid voltage drop, power loss, and over-heating of the motor, use an extra air hose rather than an extension cord.

If use of an extension cord is unavoidable:

- Make sure the extension cord is in good condition.
- Always shut off the air compressor switch before removing the plug from the receptacle.
- The extension cord should be no longer than 50 feet.
- The minimum wire size is 12 gauge (AWG). Do not use 14 AWG or 16 AWG.
- Use only a 3-wire extension cord that has a 3-blade grounding plug and a 3-slot receptacle that will accept the plug on the air compressor.

➤ **LOCATION**

Place air compressor in a clean, dry, and well-ventilated area. Air compressor should be placed on a firm, level surface and be at least 12 to 18 inches away from walls or obstacles that may prevent proper ventilation. Do not place materials on top of compressor that may obstruct ventilation openings for proper compressor operating temperature.

DANGER: Do Not Use the air compressor near volatile liquids such as gasoline, thinners, etc, as this creates the possibility of an explosion.

SAFETY INSTRUCTIONS

- 1) Close supervision is necessary when an appliance is used near children.
- 2) Ensure air compressor is securely mounted prior to operation.
- 3) Electrical shock or electrocution may occur if air compressor is not operated properly. Make sure air compressor is plugged into a properly grounded outlet that provides correct voltage & adequate fuse.
- 4) Ensure that extension cords (if required) have the correct or higher rating (amperes or watts). Ensure cord is properly positioned to avoid tripping.
- 5) Check power cord for signs of crushing, cutting or heat damage. Electrical shock may occur from damaged electrical cord. Replace damaged power cord before use.
- 6) Always operate air compressor in a well ventilated area free of flammable vapors and combustible materials. Its contact with the normal electrical sparks in the motor and pressure switch may cause serious injury or death.
- 7) Do not operate without protective covers/guards. Replace damaged covers/guards before using the air compressor. Moving parts can cause serious injury or damage if they come into contact with body or clothes.
- 8) Safety glasses should be worn by the operator and others in the work area that provides both frontal and side protection to prevent eye injuries. Always wear other personal protective equipment such as hearing protection and hard hats.
- 9) Never place objects against or on top of air compressor. Operate air compressor at least 12 inches away from any wall or obstruction that would restrict proper ventilation. Serious injury or death may occur if any air compressor ventilation openings are restricted, as it causes compressor to overheat and catch on fire.
- 10) Contact with exposed metal parts can result in serious skin burns. Never allow any part of the body or other materials to make contact with exposed metal parts during or immediately after operation of the compressor.
- 11) Serious injury or death can occur from inhaling compressed air. The air stream may contain carbon monoxide, toxic vapors or soil particles. Never inhale air from the air compressor either directly or from a breathing device connected to the air compressor.
- 12) Operate air compressor in a well ventilated area. Sprayed materials such as paint, paint solvents, paint remover, insecticides, weed killer, etc. contain harmful vapors and poisons. Follow all safety instructions provided with the materials you are spraying. Use of a respirator may be required when working with some materials.
- 13) Always maintain a safe distance from individuals while operating the air compressor. The compressed air stream can cause soft tissue damage and can propel loose debris at a high speed, causing property damage or personal injury.
- 14) Never leave pressurized air compressor unattended.

- 15) Unauthorized parts or accessories may void your warranty and can lead to malfunction, resulting injuries. Do not modify the air compressor without written approval from Diann Bao, Inc.
- 16) Always unplug an appliance from an outlet when not in use, before Putting on or taking off parts, and before cleaning.
- 17) Always turn off air compressor when not in use. The compressor cycles automatically when the motor switch is in the On/Auto position. Unplug compressor before performing maintenance or attaching tools or accessories. All repairs to the air compressor need to be made by an authorized personnel. Moving parts can cause serious injury or damage if they come into contact with body or clothes.

INSTALLATION

- 1) Make sure you have the proper installation conditions and that installation clearances do not block air flow.
- 2) This product must be installed on a flat, horizontal surface. Mounting the product to a stable, rigid operating surface and using shock mounts will reduce noise and vibration.
- 3) Remove plug from the OUT port. Connect with pipe and fittings that are the same size or larger than the product's port.
- 4) It is your responsibility to contact a qualified electrician and assure that the electrical installation is adequate and in conformance with all national and local codes and ordinances.

OPERATION

CAUTION: Read safety instructions before operating air compressor.

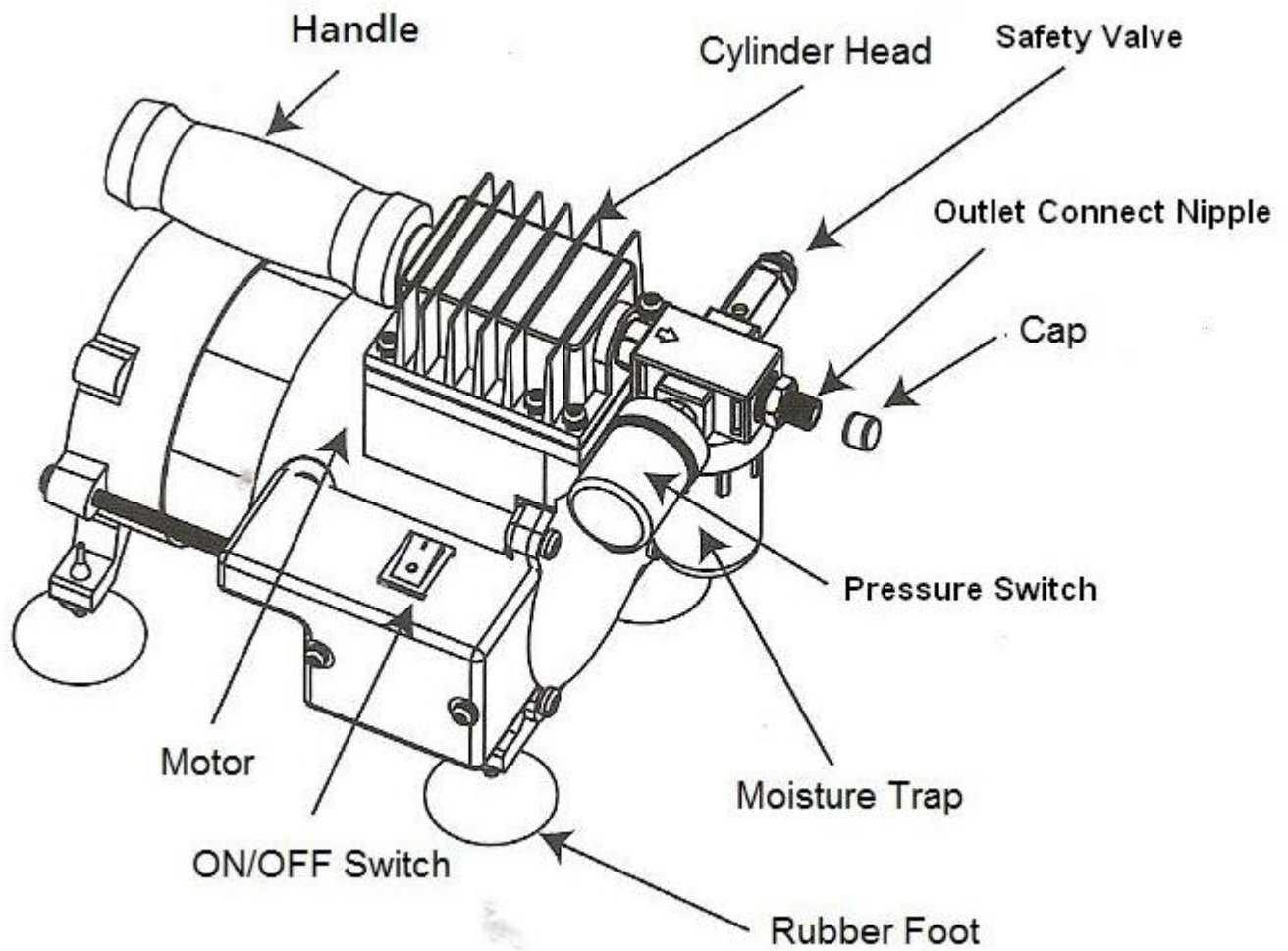
START-UP

1. Before attaching air hose and accessories, make sure the motor switch is set to "OFF".
2. Attach hose and accessories.
3. Plug the power cord into a grounded outlet.
4. Switch motor "ON". Your compressor is ready for use.

DAILY START-UP CHECKLIST

1. Make sure the air compressor motor switch is in the "OFF" position.
2. Make sure all guards and covers are in place and securely mounted.
3. Make sure all safety valves are working correctly.
4. Make sure all nuts and bolts are snug.

SPECIFICATION



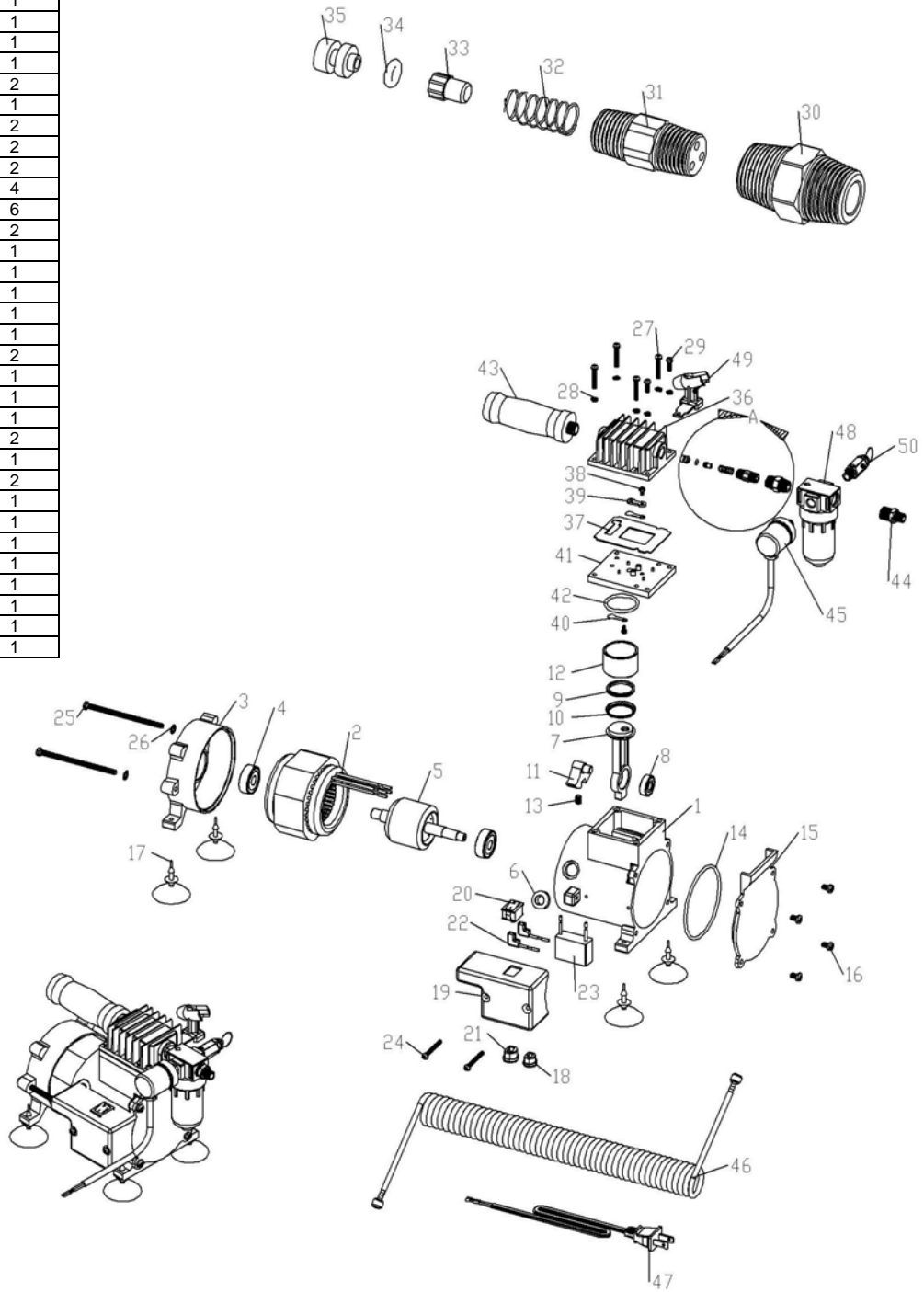
Voltage / Frequency: 220-240V / 50Hz

Model No.	Power (HP)	Pressure (kg/cm ² /psi)	Displ (l/min)	W	Speed (R.P.M)	CYL NO.	dBA
CM061	1/6	7/100	30-35	125	3400	1	65
CM081	1/8	7/100	14-16	95	1720	1	49

CM061 and CM081 can be equipped with a tank of 2.5L or 3.5L.

CM version series 061 - 081

NO.	DESCRIPTION	QTY
1	CRANK CASE	1
2	MOTOR COIL	1
3	MOTOR REAR SEAT	1
4	BEARING	2
5	MOTOR ROLLER	1
6	RUBBER RING	1
7	ROD	1
8	ROD BEARING	1
9	ROD PLATE	1
10	PRESSURE RING	1
11	CRANK	1
12	CYLINDER	1
13	SCREW	1
14	O-RING	1
15	CRANK CASE FRONT COVER	1
16	SCREW	4
17	RUBBER FOOT	4
18	STRAIN RELIEF BUSHING	1
19	SWITCH BOX	1
20	ON/OFF SWITCH	1
21	STRAIN RELIEF BUSHING	1
22	CONNECT CABLE	2
23	CONDENSER	1
24	SCREW	2
25	SCREW	2
26	DENTATE WASHER	2
27	SCREW	4
28	SPRING WASHER	6
29	SCREW	2
30	NIPPLE	1
A	CHECK VALVE ASSEMBLY	1
31	CHECK VALVE SEAT	1
32	CHECK VALVE SPRING	1
33	CHECK VALVE PLATE	1
34	O-RING	2
35	CHECK VALVE SPRING SEAT	1
36	CYLINDER HEAD	1
37	GASKET	1
38	SCREW	2
39	OULET VALVE SEAT	1
40	VALVE PLATE	2
41	VALVE SEAT	1
42	O-RING	1
43	HANDLE	1
44	OULET CONNECT NIPPLE	1
45	PRESSURE SWITCH	1
46	PU HOSE	1
47	CABLE	1
48	FILTER	1



MAINTENANCE

CAUTION: Read safety instructions before maintenance on air compressor. Failure to follow these instructions can result in death, fire or electrical shock. Product surfaces may become hot during operation

1. Turn off air compressor.
2. Disconnect electrical power supply cord before performing maintenance on this product.
3. Allow product surfaces to cool before handling.

MAINTENANCE CHART

Procedures	Daily	Weekly	Monthly	300 Hrs.
Drain moisture trap*	X			
Check nuts and bolts	X			
Check for unusual noise/vibration	X			
Check for air leaks	X			
Clean exterior of compressor		X		
Inspect air filter		X		
Check safety valve			X	
Replace air filter				X

* To empty accumulated water in trap, turn water-drain valve so that arrow is pointing down.

TROUBLESHOOTING GUIDE

Problem	Possible Cause	Solution
Noisy operation	Carbon deposits on pistons or valves.	Remove cylinder head and inspect. Clean or replace.
	Bearing, piston or connect rod failure.	STOP THE COMPRESSOR! Contact an authorized service center.
Air leaks at fittings	Fitting are not tight enough.	Tighten fittings where air can be heard escaping. Check fittings with soapy water solution. Do not over tighten.
Motor will not run or start	Wrong gauge wire or length of extension cord.	Check for proper gauge wire and cord length.
	Loose electrical connections.	Check wiring connections inside pressure switch & terminal box area.
	Defective motor, motor capacitor, motor/pressure switch or check valve.	Contact an authorized service center for inspection or replacement if necessary.