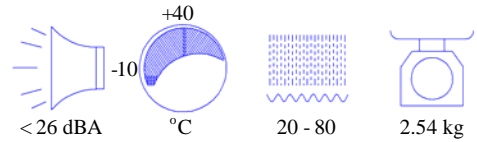
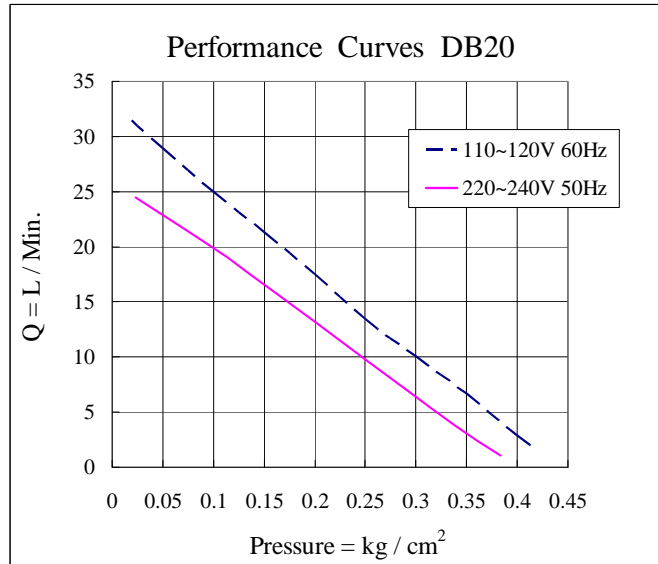


Model No. DB20

Performance / Rendimiento / Prestanda

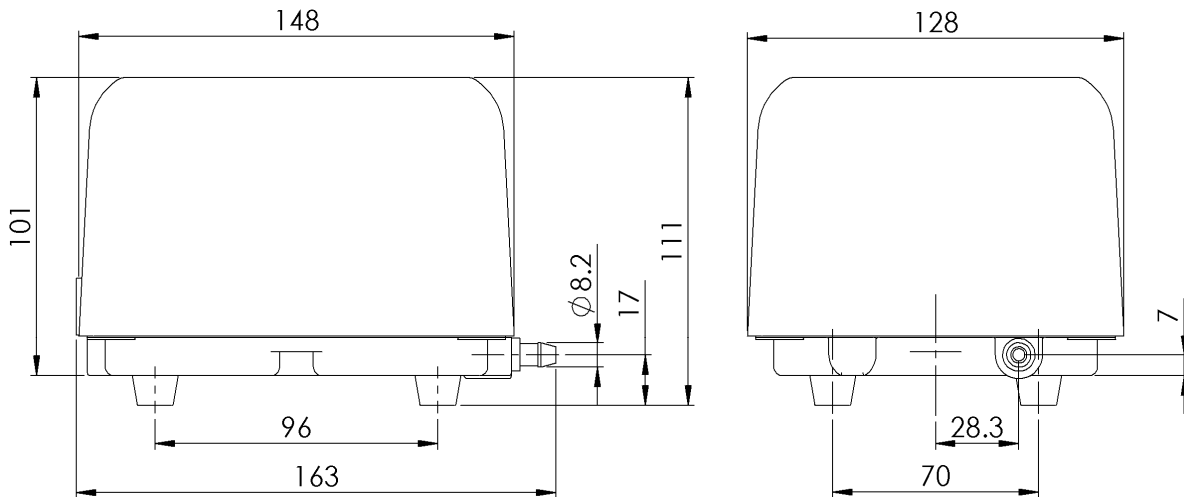


★ Allowance : ±5%



Exhaust

Dimensions / Dimensioner (mm)



Model No.	Voltage (VAC)	Frequency (HZ)	Rated Pressure (kg/cm ²)	Airflow (LPM)	AMP (A)	WATT (W)
DB20	110 ~ 120	60	0.1	25	0.3	22
DB20	220 ~ 240	50	0.1	20	0.15	17

Diann Bao Inc.

✉ E-mail: airmac@airmac.com.tw

☎ Tel: +886-4-7621838

☎ Fax: +886-4-7617617

www.airmac.com.tw