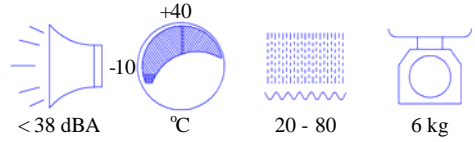
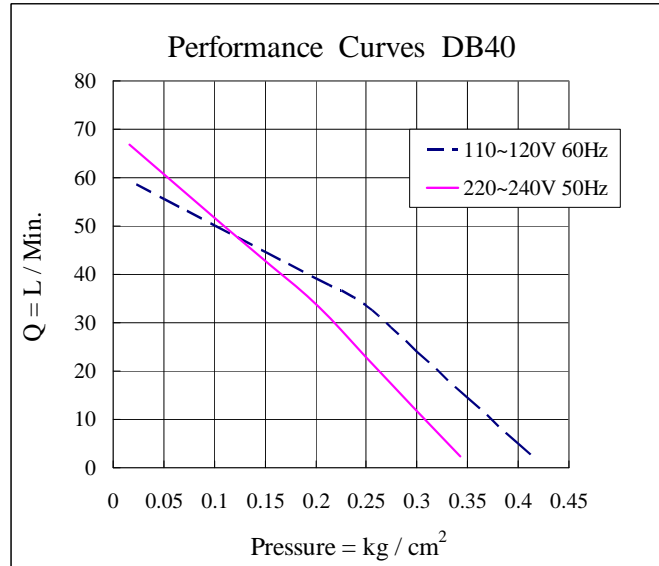


## Model No. DB40

Performance / Rendimiento / Prestanda

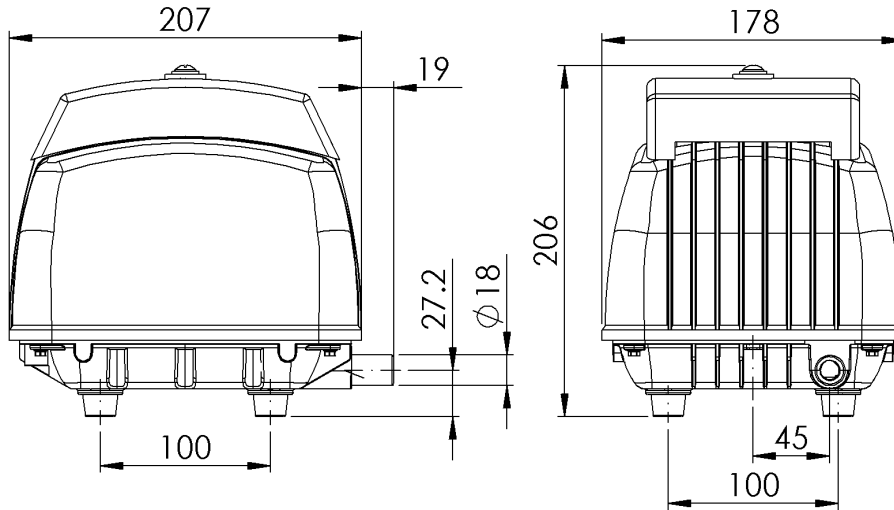


★ Allowance :  $\pm 5\%$



### Exhaust

Dimensions / Dimensioner (mm)



**Operating range : 0.05 to 0.2 kg/cm<sup>2</sup>**

Model No.	Voltage (VAC)	Frequency (HZ)	Rated Pressure (kg/cm <sup>2</sup> )	Airflow (LPM)	AMP (A)	WATT (W)
DB40	110 ~ 120	60	0.13	47	0.9	45
DB40	220 ~ 240	50	0.13	48	0.41	41

**Diann Bao Inc.**

✉ E-mail: [airmac@airmac.com.tw](mailto:airmac@airmac.com.tw)

☎ Tel: +886-4-7621838

☎ Fax: +886-4-7617617

[www.airmac.com.tw](http://www.airmac.com.tw)